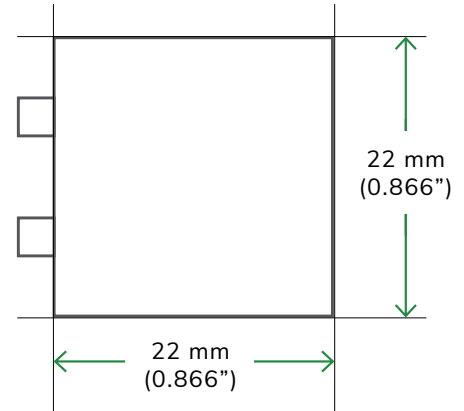


Riot Energy XP062222

Primary Battery

“The Bend”



Preliminary Specifications	
Capacity (mAh)	80
Width (mm)	22
Length (mm)	22
Thickness (um)	650
Volume (mL)	0.315
Voltage (V)	1.65
Energy (mWh)	132
Energy Density (Wh/L)	415
Areal Capacity (mAh/cm ²)	16

The information contained herein is for reference only and does not make or imply any guarantee or warranty. Riot Energy ©2021 is a registered trademark of Riot Energy. Trademarks and trade names are the property of their respective companies.