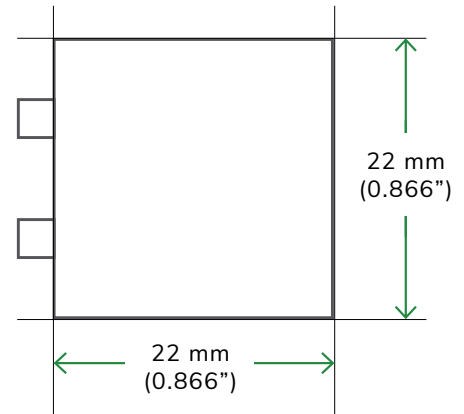


Riot Energy SP252222

Primary Battery

“The Flex”



Preliminary Specifications	
Capacity (mAh)	205
Width (mm)	22
Length (mm)	22
Thickness (um)	2500
Volume (mL)	1.21
Voltage (V)	1.65
Energy (mWh)	321
Energy Density (Wh/L)	266
Areal Capacity (mAh/cm ²)	42

The information contained herein is for reference only and does not make or imply any guarantee or warranty.
 Riot Energy ©2021 is a registered trademark of Riot Energy. Trademarks and trade names are the property of their respective companies.